

Manhole-Boxes



The Manhole is a manhole shoring element that unites all the features of a compact shoring system except that only the ends of the module are equipped with extra panels. These are positioned at right angles and firmly connected to the main panel. In addition to the standard solution, the edge-supported shoring system can be supplied as a custom solution in any desired length.

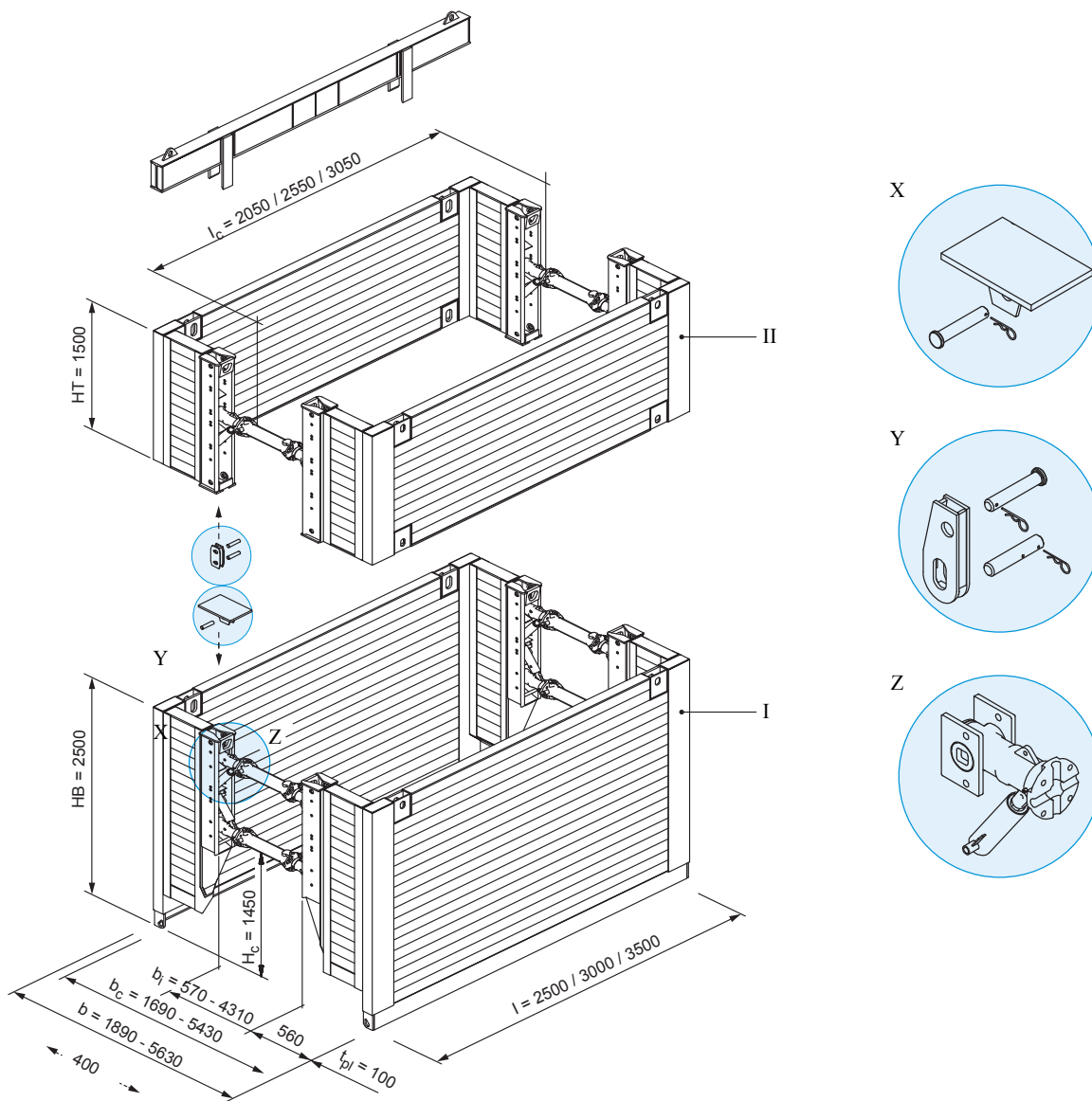
Basic data

Shoring length	2,50 m / 3,00 m / 3,50 m
Height base unit	2,60 m
Height top unit	1,50 m
Pipe culvert height	1,45 m
Weight	2260 kg - 2710 kg
Trench width	variable, see page 70

Advantage

- Ideal for manholes

Manhole-Boxes



(All dimensions in mm)

I	Base unit	l_c	Pipe culvert length	t_{pl}	Thickness
II	Top unit	b	Shoring / trench width	X	Pressure plate
HB	Height base unit	b_c	Inner width	Y	Connector
HT	Height top unit	b_i	Inner culvert width	Z	Spreader with bearing plate and shock absorber
l	Length	h_c	Pipe culvert height		

Base units (Height 2,50 m)

Art. No.	l [m]	t _{pl} [m]	h _c [m]	l _c [m]	G / VP [kg]	G / Box [kg]	eh [kN/m ²]
828 005	2,50	0,10	1,45	2,05	1.130,0	2.260,0	81,8
828 015	3,00	0,10	1,45	2,55	1.275,0	2.550,0	67,4
828 025	3,50	0,10	1,45	3,05	1.355,0	2.710,0	47,7

Top units (Height 1,50 m)

Art. No.	l [m]	t _{pl} [m]	h _c [m]	l _c [m]	G / VP [kg]	G / Box [kg]	eh [kN/m ²]
829 005	2,50	0,10	-	2,05	944,0	1.888,0	90,9
829 015	3,00	0,10	-	2,55	1.015,0	2.030,0	67,4
829 025	3,50	0,10	-	3,05	1.090,0	2.180,0	47,7

Trench widths (for cast iron tubular extension bars l = 0.55 m)

Number of extension bars	Length extension bars [m]	b _c [m]	b _i [m]	b [m]
0	0,00	1,69 - 2,13	0,57 - 1,01	1,89 - 2,33
1	0,55	2,24 - 2,68	1,12 - 1,56	2,44 - 2,88
2	1,10	2,79 - 3,23	1,67 - 2,11	2,99 - 3,43
3	1,65	3,34 - 3,78	2,22 - 2,66	3,54 - 3,98
4	2,20	3,89 - 4,33	2,77 - 3,21	4,09 - 4,53
5	2,75	4,44 - 4,88	3,32 - 3,76	4,64 - 5,08
max. 6	3,30	4,99 - 5,43	3,87 - 4,31	5,19 - 5,63

From-to sizes dependent on spindle adjustment range.

Other trench widths possible by combining the two different extension bar lengths l = 0.25 m and l = 0.55 m.

Larger trench widths available on request.

Trench widths (for extension bars HEB 180)

l _{zwSt} [m]	b _c [m]	b _i [m]	b [m]
0,000	1,690 - 2,130	0,570 - 1,010	1,890 - 2,330
0,275	1,965 - 2,405	0,845 - 1,285	2,165 - 2,605
0,550	2,240 - 2,680	1,120 - 1,560	2,440 - 2,880
1,100	2,790 - 3,230	1,670 - 2,110	2,990 - 3,430
1,650	3,340 - 3,780	2,220 - 2,660	3,540 - 3,980
2,200	3,890 - 4,330	2,770 - 3,210	4,090 - 4,530
2,200 + 1,100	4,990 - 5,430	3,870 - 4,310	5,190 - 5,630

From-to dimensions depend on the spindle adjustment range.

Other trench widths are possible by combining different HEB lengths.

Larger trench widths are available on request.

l	Length	b _c	Inner width	G	Weight
l _c	Pipe culvert length	h _c	Pipe culvert height	G / VP	Weight per shoring panel
l _{zwSt}	Total extension bar length	t _{pl}	Thickness	G / Box	Weight per shoring box
b	Shoring / trench width	A	Area	eh	Earth pressure max.

Accessories/Spares see page 75