

KS 100



The KS 100 is the world's most frequently used trench box and is compatible with a wide range of shoring tasks. Its straightforward use in countless variations in terms of trench width, depth of use, lengths available on site and practical vertical pipe clearances make all settings possible within the maximum sizes. The shoring struts of the KS 100 are compatible with those of KS 60 boxes.

Operations with the edge-supported compact element are simple, inexpensive and safe. There is no negative environment impact caused by driving or vibration. The boxes, often used in urban locations, can be installed by placement in the excavated trench or via the dig-and-push method.

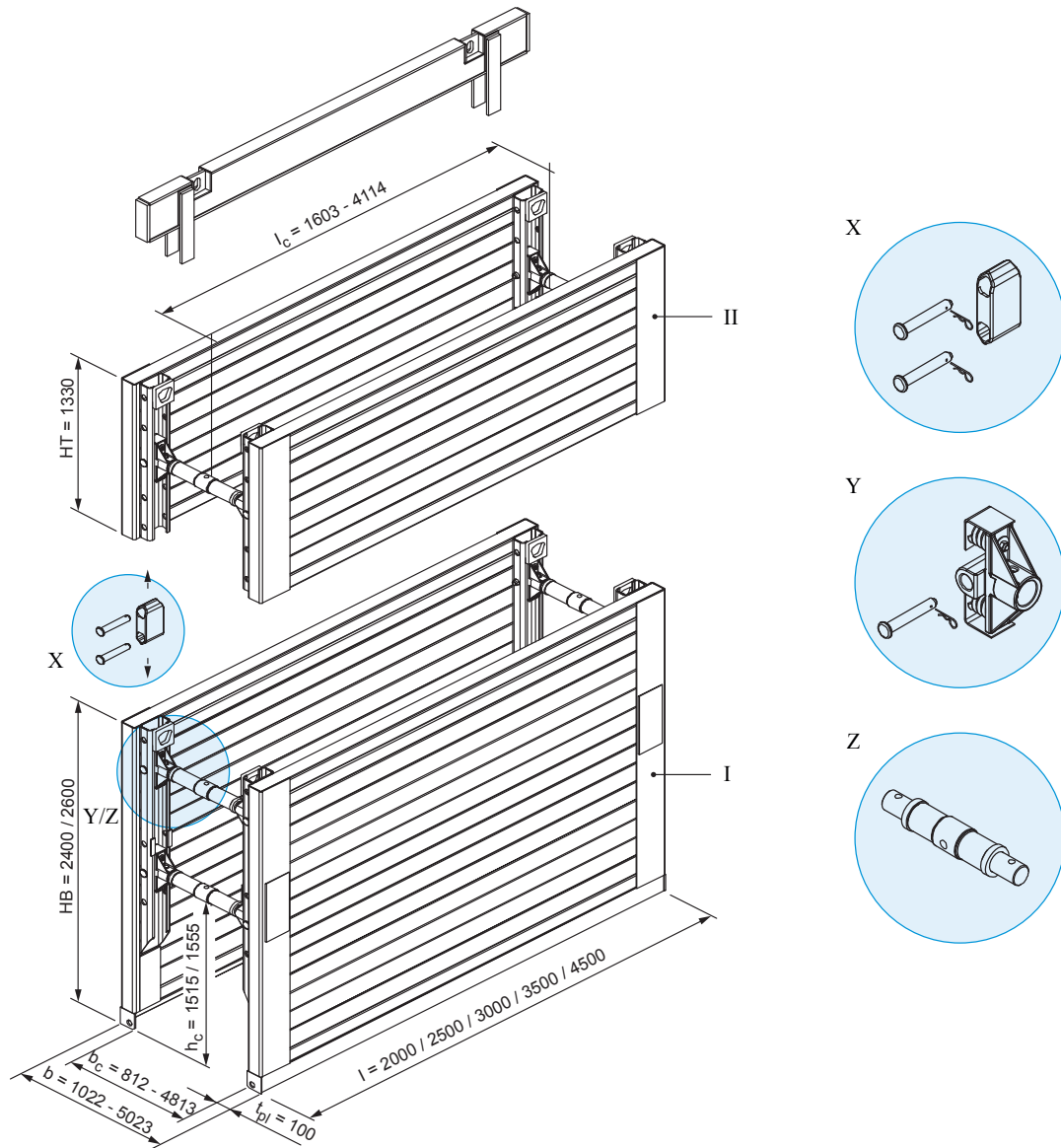
Basic data

Shoring length	2,00 m - 4,50 m
Height base unit	2,40 m / 2,60 m
Height top unit	1,30 m
Pipe culvert height	max. 1,56 m
Weight	1399 kg - 2715 kg
Trench width	variable, see page 88/89

Advantages

- Most used shoring box in the world
- Suitable for use at increased depths
- No negative environmental impact from pile-driving and vibration noise
- Shoring struts are compatible with KS 60 boxes

KS 100



(All dimensions in mm)

I	Base unit	l_c	Pipe culvert length	X	Connector
II	Top unit	b	Shoring / trench width	Y	Mushroom spring with pin
HB	Height base unit	b_c	Inner width	Z	Spindle 98x...
HT	Height top unit	h_c	Pipe culvert height		
l	Length	t_{pl}	Thickness		

Base units

Art. No.	l [m]	h [m]	t _{pl} [m]	h _c [m]	l _c [m]	G / VP [kg]	G / Box [kg]	A [m ²]	eh [kN/m ²]
132 030	2,00	2,40	0,10	1,52	1,614	567,0	1.399,0 *	4,80	60,0
132 050	2,50	2,40	0,10	1,52	2,114	675,0	1.615,0 *	6,00	57,0
132 070	3,00	2,40	0,10	1,52	2,614	761,0	1.787,0 *	7,20	48,0
132 090	3,50	2,40	0,10	1,52	3,114	830,0	1.925,0 *	8,40	44,0
132 140	4,00	2,40	0,10	1,52	3,614	1.000,0	2.265,0 *	9,60	40,0
132 156	4,50	2,40	0,10	1,52	4,114	1.120,0	2.505,0 *	10,80	31,8
132 040	2,00	2,60	0,10	1,56	1,614	612,0	1.489,0 *	5,20	55,0
132 060	2,50	2,60	0,10	1,56	2,114	711,0	1.687,0 *	6,50	52,0
132 080	3,00	2,60	0,10	1,56	2,614	813,0	1.891,0 *	7,80	44,0
132 100	3,50	2,60	0,10	1,56	3,114	905,0	2.075,0 *	9,10	44,0
132 150	4,00	2,60	0,10	1,56	3,614	1.090,0	2.445,0 *	10,40	40,0
132 121	4,50	2,60	0,10	1,56	4,114	1.225,0	2.715,0 *	11,70	31,8

* with spindle 98x700

Top units

Art. No.	l [m]	h [m]	t _{pl} [m]	h _c [m]	l _c [m]	G / VP [kg]	G / Box [kg]	A [m ²]	eh [kN/m ²]
132 190	2,00	1,30	0,10	-	1,614	370,0	915,0 *	2,60	60,0
132 200	2,50	1,30	0,10	-	2,114	430,0	1.035,0 *	3,25	57,0
132 210	3,00	1,30	0,10	-	2,614	486,0	1.147,0 *	3,90	48,0
132 220	3,50	1,30	0,10	-	3,114	570,0	1.315,0 *	4,55	44,0
132 260	4,00	1,30	0,10	-	3,614	660,0	1.495,0 *	5,20	40,0
132 261	4,50	1,30	0,10	-	4,114	730,0	1.635,0 *	5,85	31,8

* with spindle 98x700

Shoring widths for spindle 98x392

Extension bar	l [m]	b _c [m]	b [m]
	ohne	0,693 - 0,761	0,813 - 0,881
139 430	0,30	0,993 - 1,061	1,113 - 1,181
139 445	0,50	1,193 - 1,261	1,313 - 1,381
139 385	1,00	1,693 - 1,761	1,813 - 1,881
139 400	1,50	2,193 - 2,261	2,313 - 2,381
139 420	2,00	2,693 - 2,761	2,813 - 2,881
139 425	2,50	3,193 - 3,260	3,313 - 3,381

Shoring widths for spindle 98x550

Extension bar	l [m]	b _c [m]	b [m]
	without	0,812 - 1,012	1,022 - 1,222
139 430	0,30	1,112 - 1,312	1,322 - 1,522
139 445	0,50	1,312 - 1,512	1,522 - 1,722
139 385	1,00	1,812 - 2,012	2,022 - 2,222
139 400	1,50	2,313 - 2,512	2,522 - 2,722
139 420	2,00	2,812 - 3,012	3,022 - 3,222
139 425	2,50	3,312 - 3,512	3,522 - 3,722

Shoring widths for spindle 98x700

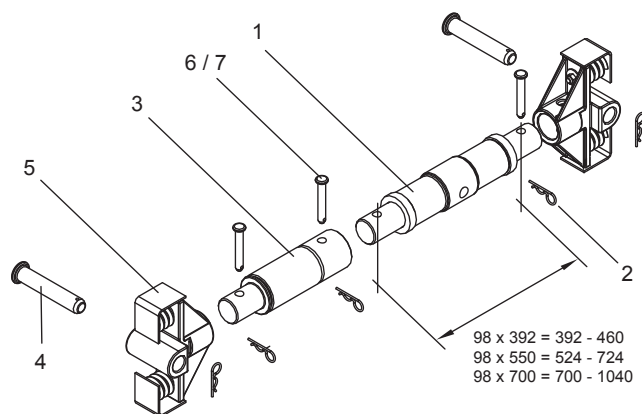
Extension bar	l [m]	b _c [m]	b [m]
	without	0,988 - 1,328	1,198 - 1,538
139 430	0,30	1,288 - 1,628	1,498 - 1,838
139 445	0,50	1,488 - 1,828	1,698 - 2,038
139 385	1,00	1,988 - 2,328	2,198 - 2,538
139 400	1,50	2,488 - 2,828	2,698 - 3,038
139 420	2,00	2,988 - 3,328	3,198 - 3,538
139 425	2,50	3,488 - 3,828	3,698 - 4,038

Shoring widths for spindle 98x817

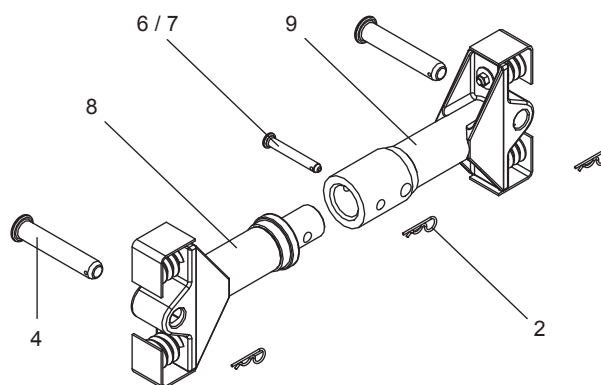
Extension bars	Total extension bar length [m]	b _c [m]	b [m]
0	0,00	0,913 - 1,313	1,123 - 1,523
1	0,50	1,413 - 1,813	1,623 - 2,023
2	1,00	1,913 - 2,313	2,123 - 2,523
3	1,50	2,413 - 2,813	2,623 - 3,023
4	2,00	2,913 - 3,313	3,123 - 3,523
5	2,50	3,413 - 3,813	3,623 - 4,023
6	3,00	3,913 - 4,313	4,123 - 4,523
7	3,50	4,413 - 4,813	4,623 - 5,023

A maximum of 7 extension bars with a length of 500 mm may be used.

Strut 98 x 392 / 550 / 700



Strut 98 x 817



1	Spindle	4	Pin 212 x 43	7	Pin 140 x 20
2	Spring cotter	5	Mushroom spring	8	Spindle, right
3	Plug-in extension bar	6	Pin 125 x 20	9	Spindle, left

Accessories/Spares see page 107