

KS 60



The stable KS 60 trench box is configured for high loads, low weight and high safety – features that make this lightweight box the ideal shoring for open terrain and medium-sized inner-city sewer construction projects. In certain cases and subject to consultation with the manufacturer's technical department, higher loads are possible at certain shoring depths.

The struts are compatible with those of the KS 100 boxes. The loads are taken up by the articulated sprung sockets between the struts and the shoring panel. Small excavators can therefore be used for quick and easy box installation and removal using the placement and dig-and-push methods.

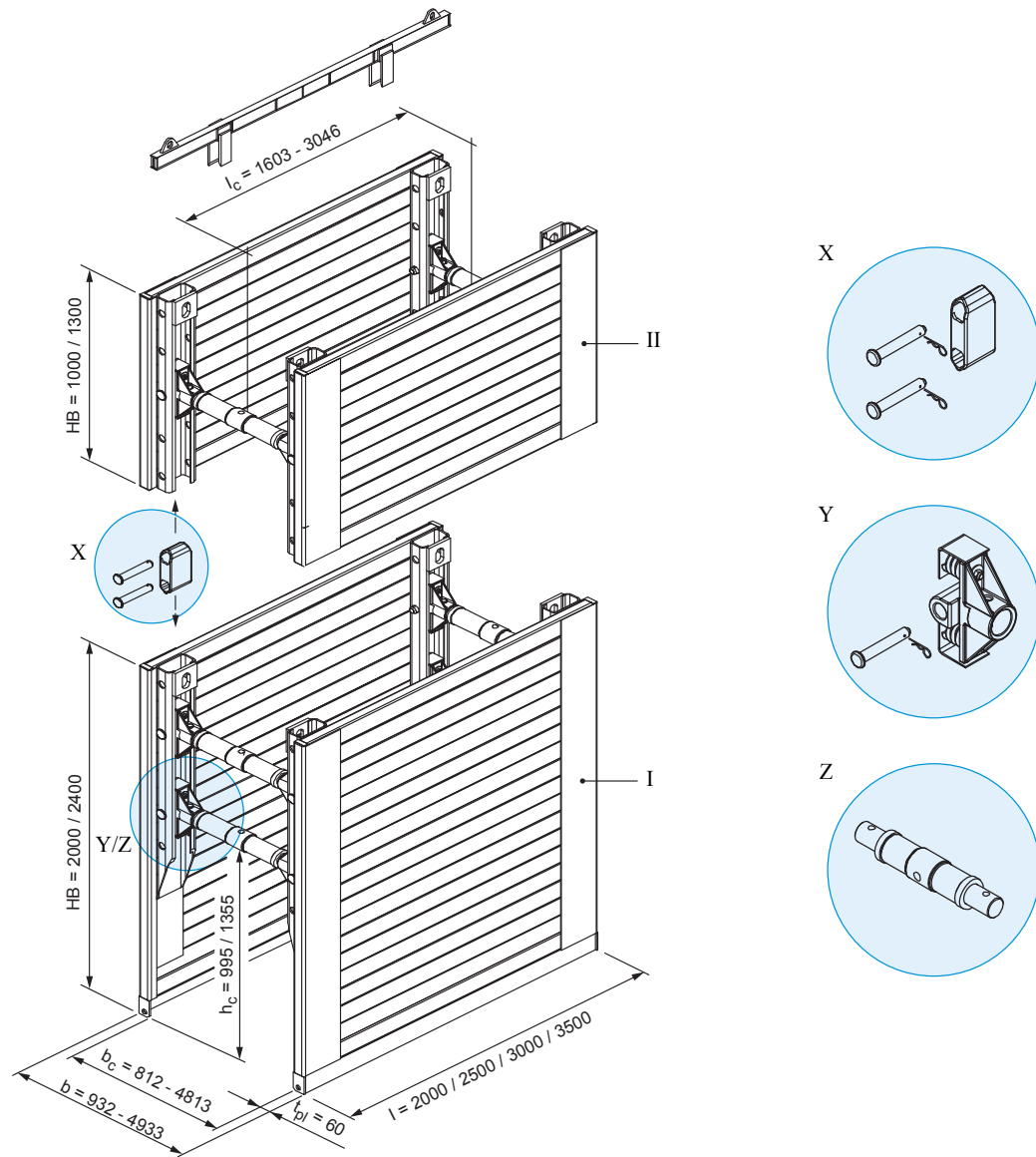
Basic data

Shoring length	2,00 m - 3,50 m
Height base unit	2,00 m / 2,40 m
Height top unit	1,00 m / 1,30 m
Pipe culvert height	max. 1,355 m
Weight	1185 kg - 1565 kg
Trench width	variable, see page 84/85

Advantages

- Suitable for open terrain and medium-scale sewer construction in urban centers
- Shoring struts are compatible with KS 100 boxes
- Can be installed and removed using small-scale excavators
- Low weight, high strength

KS 60



(All dimensions in mm)

I	Base unit	l_c	Pipe culvert length	X	Connector
II	Top unit	b	Shoring / trench width	Y	Mushroom spring with pin
HB	Height base unit	b_c	Inner width	Z	Spindle 98x...
HT	Height top unit	h_c	Pipe culvert height		
l	Length	t_{pl}	Thickness		

Base units

Art. No.	l [m]	h [m]	t _{pl} [m]	h _c [m]	l _c [m]	G / VP [kg]	G / Box [kg]	A [m ²]	eh [kN/m ²]
131 060	3,00	2,00	0,06	0,995	2,61	460,0	1.185,0 *	6,00	26,3
131 080	3,50	2,00	0,06	0,995	3,05	560,0	1.385,0 *	7,00	26,6
131 040	2,00	2,40	0,06	1,355	1,61	394,0	1.053,0 *	4,80	39,1
131 050	2,50	2,40	0,06	1,355	2,11	460,0	1.185,0 *	6,00	31,3
131 070	3,00	2,40	0,06	1,355	2,61	515,0	1.295,0 *	7,20	26,1
131 090	3,50	2,40	0,06	1,355	3,05	650,0	1.565,0 *	8,40	22,3

* with spindle 98x700

Top units

Art. No.	l [m]	h [m]	t _{pl} [m]	h _c [m]	l _c [m]	G / VP [kg]	G / Box [kg]	A [m ²]	eh [kN/m ²]
131 140	3,00	1,00	0,06	-	2,61	265,0	705,0 *	3,00	26,3
131 160	3,50	1,00	0,06	-	3,05	333,0	841,0 *	3,50	26,6
131 120	2,00	1,30	0,06	-	1,61	260,0	695,0 *	2,60	66,7
131 130	2,50	1,30	0,06	-	2,11	295,0	765,0 *	3,25	39,7
131 150	3,00	1,30	0,06	-	2,61	330,0	835,0 *	3,90	26,3
131 170	3,50	1,30	0,06	-	3,05	395,0	965,0 *	4,55	26,6

* with spindle 98x700

Shoring widths for spindle 98x392

Extension bar	l [m]	b _c [m]	b [m]
	ohne	0,693 - 0,761	0,813 - 0,881
139 430	0,30	0,993 - 1,061	1,113 - 1,181
139 445	0,50	1,193 - 1,261	1,313 - 1,381
139 385	1,00	1,693 - 1,761	1,813 - 1,881
139 400	1,50	2,193 - 2,26	2,313 - 2,381
139 420	2,00	2,693 - 2,761	2,813 - 2,881
139 425	2,50	3,193 - 3,260	3,313 - 3,381

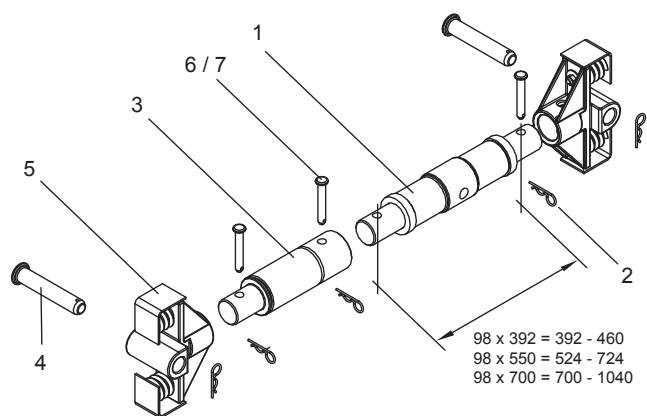
Shoring widths for spindle 98x550

Extension bar	l [m]	b _c [m]	b [m]
	without	0,812 - 1,012	0,932 - 1,132
139 430	0,30	1,112 - 1,312	1,232 - 1,432
139 445	0,50	1,312 - 1,512	1,432 - 1,632
139 385	1,00	1,812 - 2,012	1,932 - 2,132
139 400	1,50	2,313 - 2,512	2,432 - 2,632
139 420	2,00	2,812 - 3,012	2,932 - 3,132
139 425	2,50	3,312 - 3,512	3,432 - 3,632

Shoring widths for spindle 98x700

Extension bar	l [m]	b _c [m]	b [m]
	without	0,988 - 1,328	1,108 - 1,448
139 430	0,30	1,288 - 1,628	1,408 - 1,748
139 445	0,50	1,488 - 1,828	1,608 - 1,948
139 385	1,00	1,988 - 2,328	2,108 - 2,448
139 400	1,50	2,488 - 2,828	2,608 - 2,948
139 420	2,00	2,988 - 3,328	3,108 - 3,448
139 425	2,50	3,488 - 3,828	3,608 - 3,948

Strut 98 x 392 / 550 / 700



1	Spindle	4	Pin 212 x 43	7	Pin 140 x 20
2	Spring cotter	5	Mushroom spring		
3	Plug-in extension bar	6	Pin 125 x 20		

Accessories/Spares see page 107