

Medium-Boxes



On the market for medium-sized products, Medium shoring from Emunds+Staudinger occupies a special place. Its various dimensions and special design features give it universal and varied applications. In addition, the strut system is compatible with Magnum and Lightweight shoring. The top panels can also be used with the Magnum shoring system.

The E+S strut system consists of two efficient individual components: The nut made of nodular cast-iron (GGG 50) effectively withstands the tensile and compressive forces. The spindle is a threaded tube with a friction-welded flange and four holes for the flange bolts. Thanks to its stepless adjustment, it can be adapted perfectly to the demanded trench width required. For this, there are extension bars of different lengths and grades that are also capable of discharging greater loads.

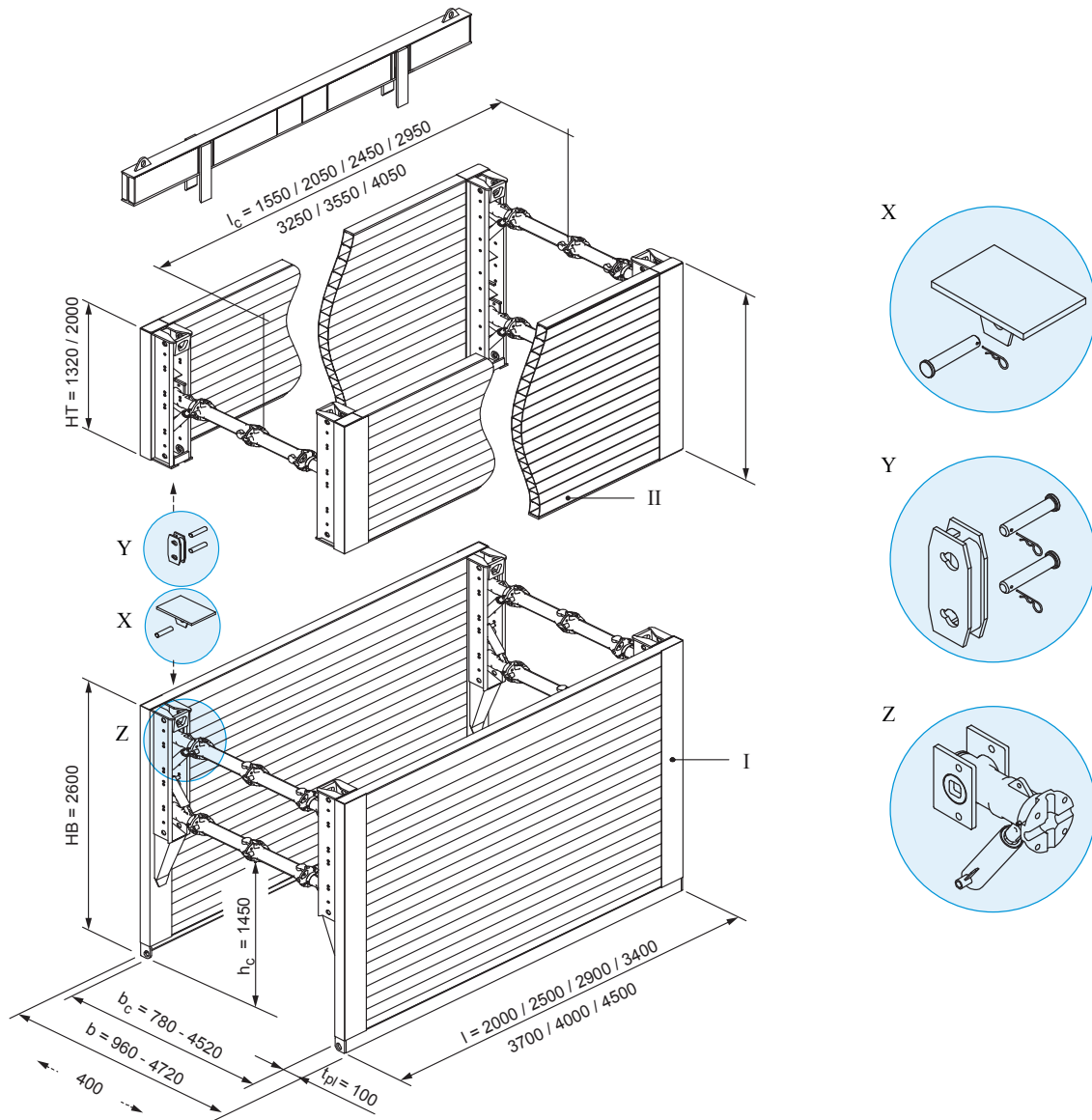
Basic data

Shoring length	2,00 m - 4,50 m
Height base unit	2,60 m
Height top unit	1,32 m / 2,00 m
Pipe culvert height	1,45 m
Weight	1460 kg - 2780 kg
Trench width	variable, see page 60

Advantages

- Economical shoring solution for urban civil engineering projects
- Stepless adjustability for optimum adaptation to the trench width
- Strut system compatible with Magnum and Lightweight shoring
- Top panels compatible with Magnum shoring

Medium-Boxes



(All dimensions in mm)

I	Base unit	l_c	Pipe culvert length	X	Pressure plate
II	Top unit	b	Shoring / trench width	Y	Connector
HB	Height base unit	b_c	Inner width	Z	Spreader with bearing plate and shock absorber
HT	Height top unit	h_c	Pipe culvert height		
l	Length	t_{pl}	Thickness		

Base units (Height 2,60 m)

Art. No.	l [m]	t _{pl} [m]	h _c [m]	l _c [m]	G / VP [kg]	G / Box [kg]	A [m ²]	eh [kN/m ²]
800 010	2,00	0,10	1,46	1,55	730,0	1.460,0	5,20	70,0
800 100	2,50	0,10	1,46	2,05	825,0	1.650,0	6,50	60,0
800 150	2,90	0,10	1,46	2,45	908,0	1.816,0	7,54	55,0
800 200	3,40	0,10	1,46	2,95	1.028,0	2.056,0	8,84	50,8
800 300	3,70	0,10	1,46	3,25	1.118,0	2.236,0	9,62	42,3
800 400	4,00	0,10	1,46	3,55	1.257,0	2.514,0	10,40	44,0
800 440	4,50	0,10	1,46	4,05	1.390,0	2.780,0	11,70	34,2

Top units (Height 1,32 m)

Art. No.	l [m]	t _{pl} [m]	h _c [m]	l _c [m]	G / VP [kg]	G / Box [kg]	A [m ²]	eh [kN/m ²]
800 550	2,00	0,10	-	1,55	463,0	926,0	2,64	165,0
800 600	2,50	0,10	-	2,05	531,0	1.062,0	3,30	99,3
800 650	2,90	0,10	-	2,45	578,0	1.156,0	3,83	71,5
800 700	3,40	0,10	-	2,95	658,0	1.316,0	4,49	50,5
800 800	3,70	0,10	-	3,25	692,0	1.384,0	4,88	42,1
800 900	4,00	0,10	-	3,55	775,0	1.550,0	5,28	43,8
800 950	4,50	0,10	-	4,05	820,0	1.640,0	5,94	34,2

Top units (Height 2,00 m)

Art. No.	l [m]	t _{pl} [m]	h _c [m]	l _c [m]	G / VP [kg]	G / Box [kg]	A [m ²]	eh [kN/m ²]
802 680	2,00	0,10	-	1,55	697,0	1.394,0	4,00	165,0
802 690	2,50	0,10	-	2,05	785,0	1.570,0	5,00	99,3
802 550	2,90	0,10	-	2,45	840,0	1.680,0	5,80	71,5
802 700	3,40	0,10	-	2,95	930,0	1.860,0	6,80	50,5
802 750	3,70	0,10	-	3,25	990,0	1.980,0	7,40	42,1
802 751	4,00	0,10	-	3,55	1.085,0	2.170,0	8,00	43,8
800 951	4,50	0,10	-	4,05	1.192,0	2.384,0	9,00	34,2

Trench widths (for cast iron tubular extension bars l = 0.55 m)

Number of extension bars	l [m]	b _c [m]	b [m]
0	0,00	0,78 - 1,22	0,98 - 1,42
1	0,55	1,32 - 1,77	1,52 - 1,97
2	1,10	1,88 - 2,32	2,08 - 2,52
3	1,65	2,43 - 2,87	2,63 - 3,07
4	2,20	2,98 - 3,42	3,18 - 3,62
5	2,75	3,53 - 3,97	3,73 - 4,17
max. 6	3,30	4,08 - 4,52	4,28 - 4,72

From-to sizes dependent on spindle adjustment range.

Other trench widths possible by combining the two different extension bar lengths l = 0.25 m and l = 0.55 m.

Larger trench widths available on request.

Trench widths (for extension bars HEB 180)

l [m]	b _c [m]	b [m]
0,000	0,780 - 1,220	0,980 - 1,420
0,275	1,055 - 1,495	1,255 - 1,695
0,550	1,330 - 1,770	1,530 - 1,970
1,100	1,880 - 2,320	2,080 - 2,520
1,650	2,430 - 2,870	2,630 - 3,070
2,200	2,980 - 3,420	3,180 - 3,620
2,200 + 1,100	4,080 - 4,520	4,280 - 4,720

From-to dimensions depend on the spindle adjustment range.

Other trench widths are possible by combining different HEB lengths.

Larger trench widths are available on request.